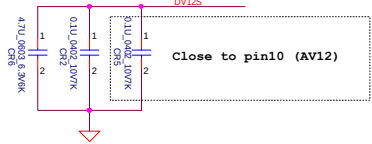
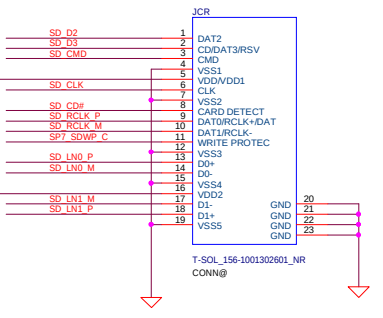
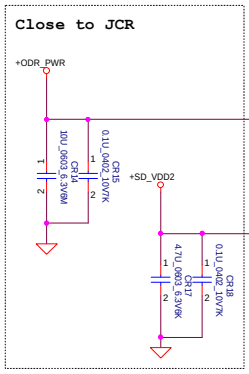
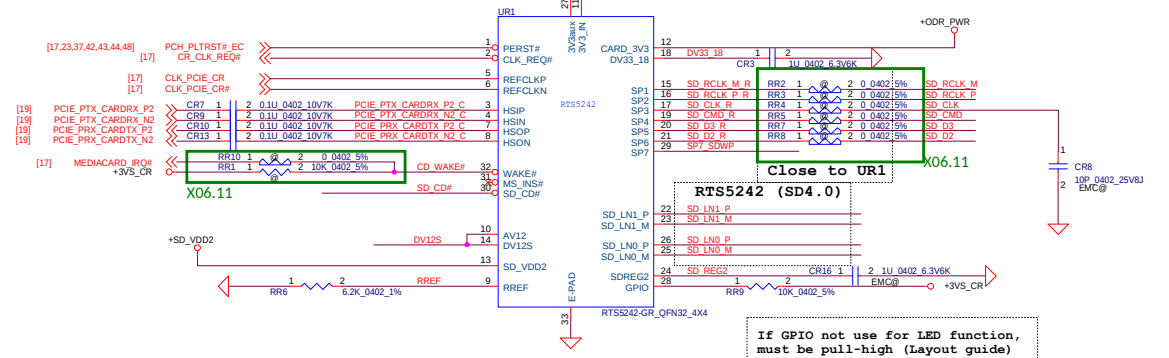
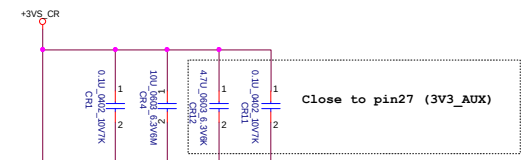
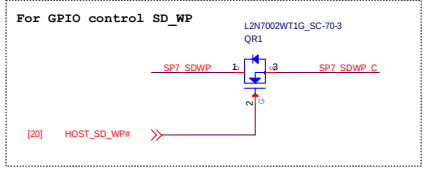


Card Reader

Pin11, Pin12 trace fixed width is 40 mils.
 Pin27 trace fixed width is 30mils.
 Pin10, pin14, pin18 trace fixed width is 20 mils.
 Pin 9 trace fixed width is 12 mils.
 Trace routing length < 200mils.
 Via size: Pad=28 mils, Finished hole>=16 mils.



If GPIO not use for LED function, must be pull-high (Layout guide)



Security Classification		Compal Secret Data		Compal Electronics, Inc.	
Issued Date	2011/08/25	Deciphered Date	2012/07/25	Title Card Reader	
THIS SHEET OF ENGINEERING DRAWING IS THE PROPRIETARY PROPERTY OF COMPAL ELECTRONICS, INC. AND CONTAINS CONFIDENTIAL AND TRADE SECRET INFORMATION. THIS SHEET MAY NOT BE TRANSFERRED FROM THE CUSTODY OF THE COMPETENT DIVISION OF R&D DEPARTMENT EXCEPT AS AUTHORIZED BY COMPAL ELECTRONICS, INC. NEITHER THIS SHEET NOR THE INFORMATION IT CONTAINS MAY BE USED BY OR DISCLOSED TO ANY THIRD PARTY WITHOUT PRIOR WRITTEN CONSENT OF COMPAL ELECTRONICS, INC.				Size	Document Number
Date:	Thursday, August 06, 2015	Sheet	51	of	71